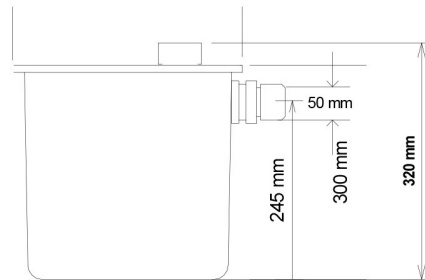
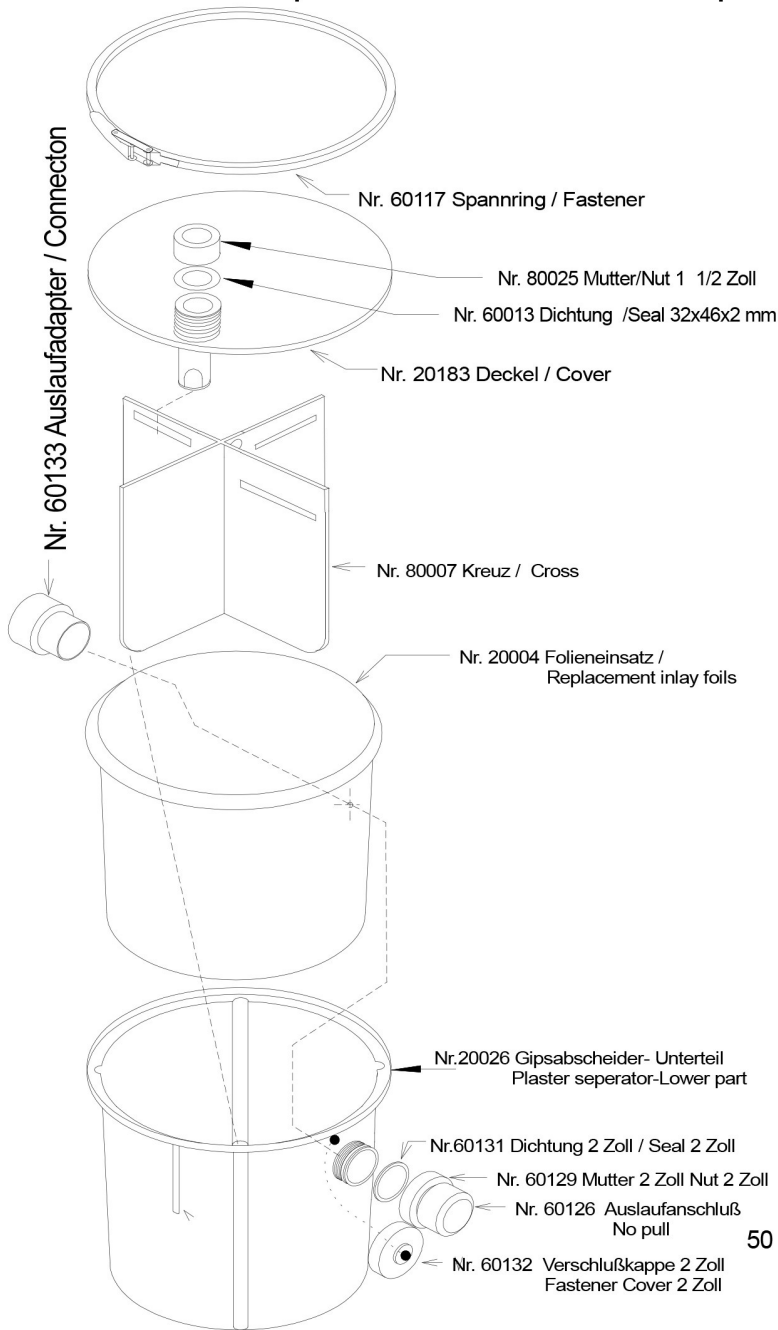


# Nr. 10001 Gipsabscheider / Plaster separator

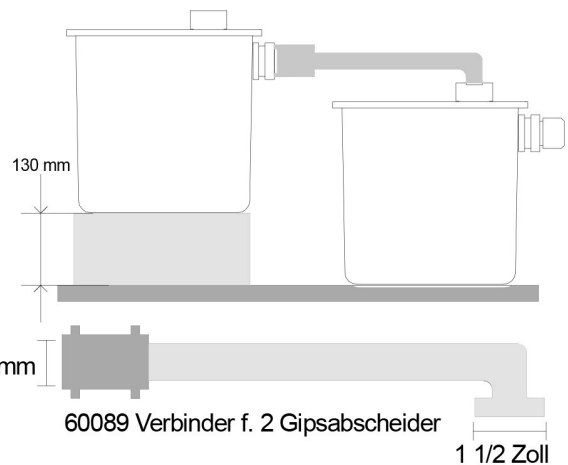


**ALPHABOND** dental

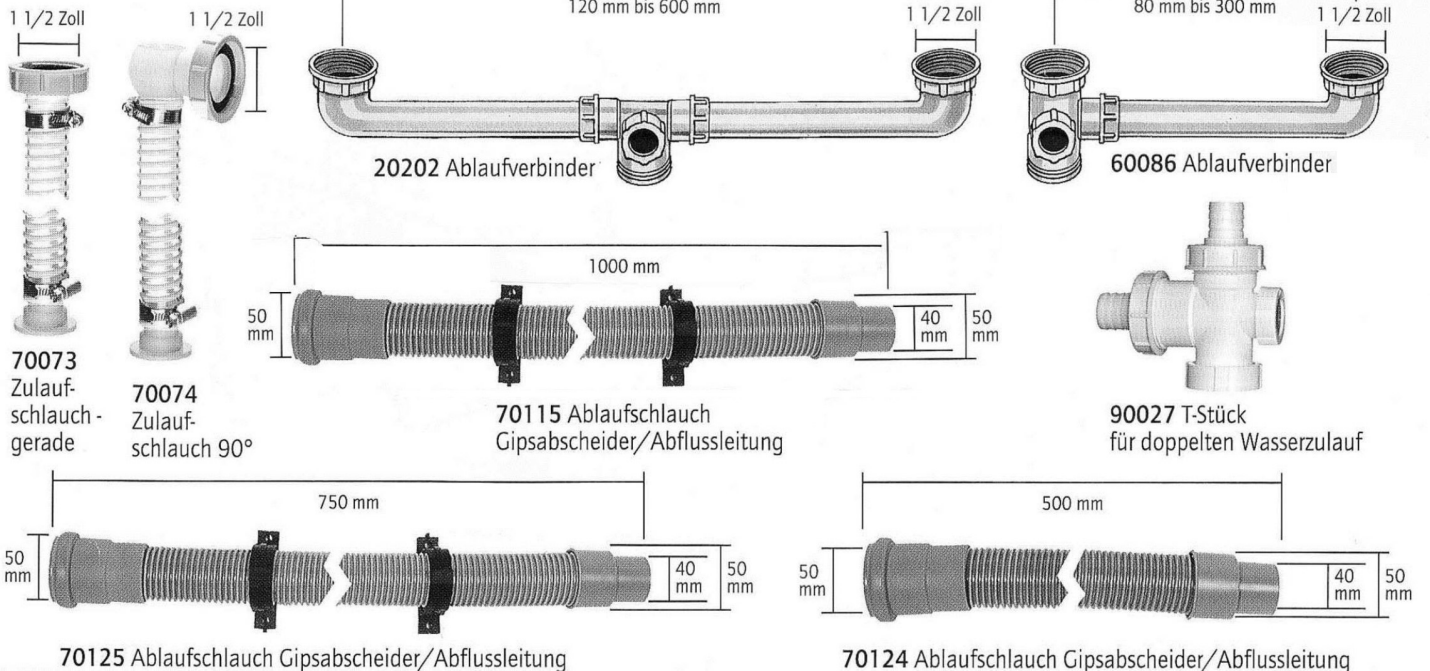
Ph: (02) 9417 6660 [www.alphabond.com.au](http://www.alphabond.com.au)



**Hinweis:**  
Der Ablauf des Gipsabscheiders muss höher liegen als der Wandeinlauf



## ACCESSORIES:



## Installation of the plaster separator

1. Remove the U bend from the sink and the associated waste water pipes.
2. Set up the plaster separator in the desired position. The side drain of the plaster separator must be higher than the drain pipe in the wall. The optimal slope should be between 1-2 cm per meter.
3. Mount the inlet hose (not included in the scope of delivery) on the sink. Shorten the inlet hose to the appropriate length so that it can be optimally mounted on the connection on the cover.
4. Make sure that there is no bend upwards on the inlet hose.
5. Mount the drain hose on the side opening (not included in the scope of delivery) and connect it to your sewage pipe. The slope should be 1-2 cm per meter. The supplied clamps can be used so that there is no bend on the sewage hose.



**Ph: (02) 9417 6660    [www.alphabond.com.au](http://www.alphabond.com.au)**